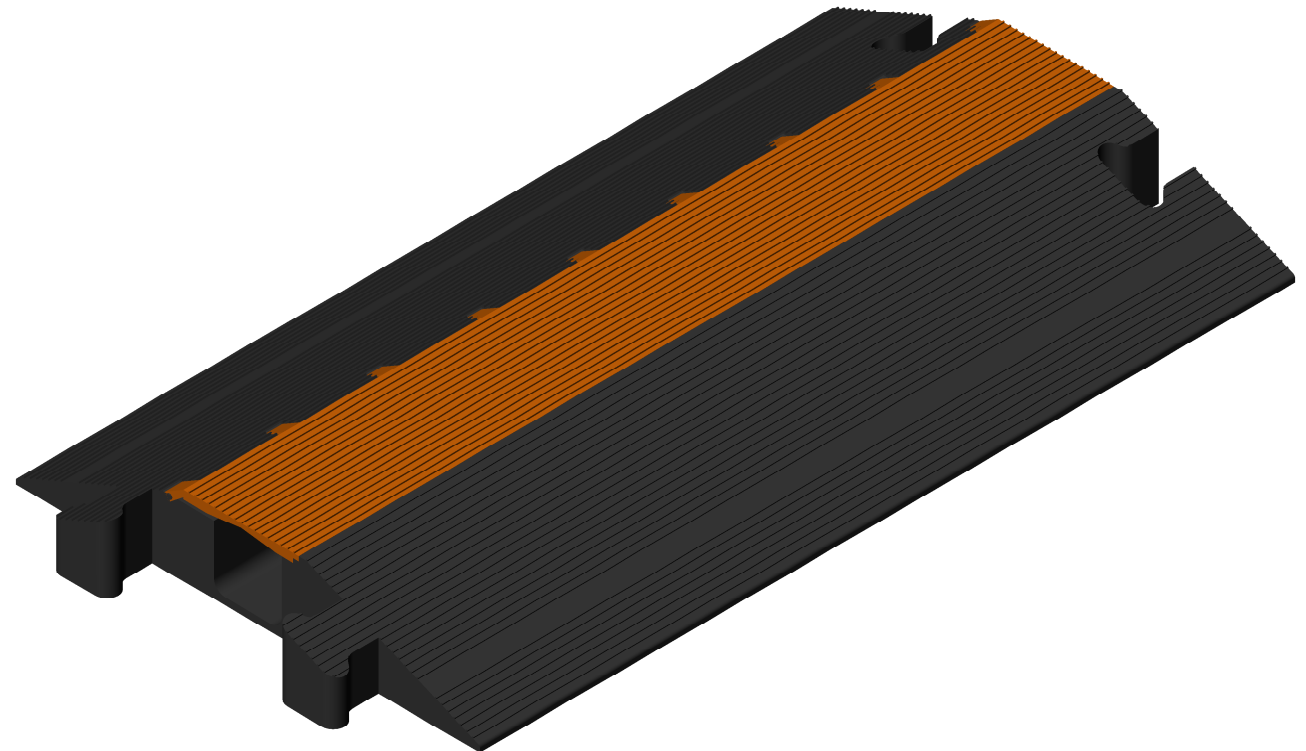
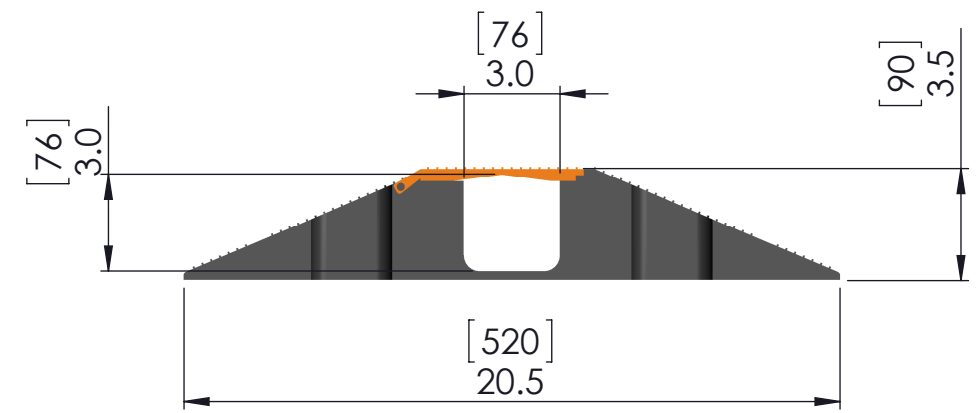
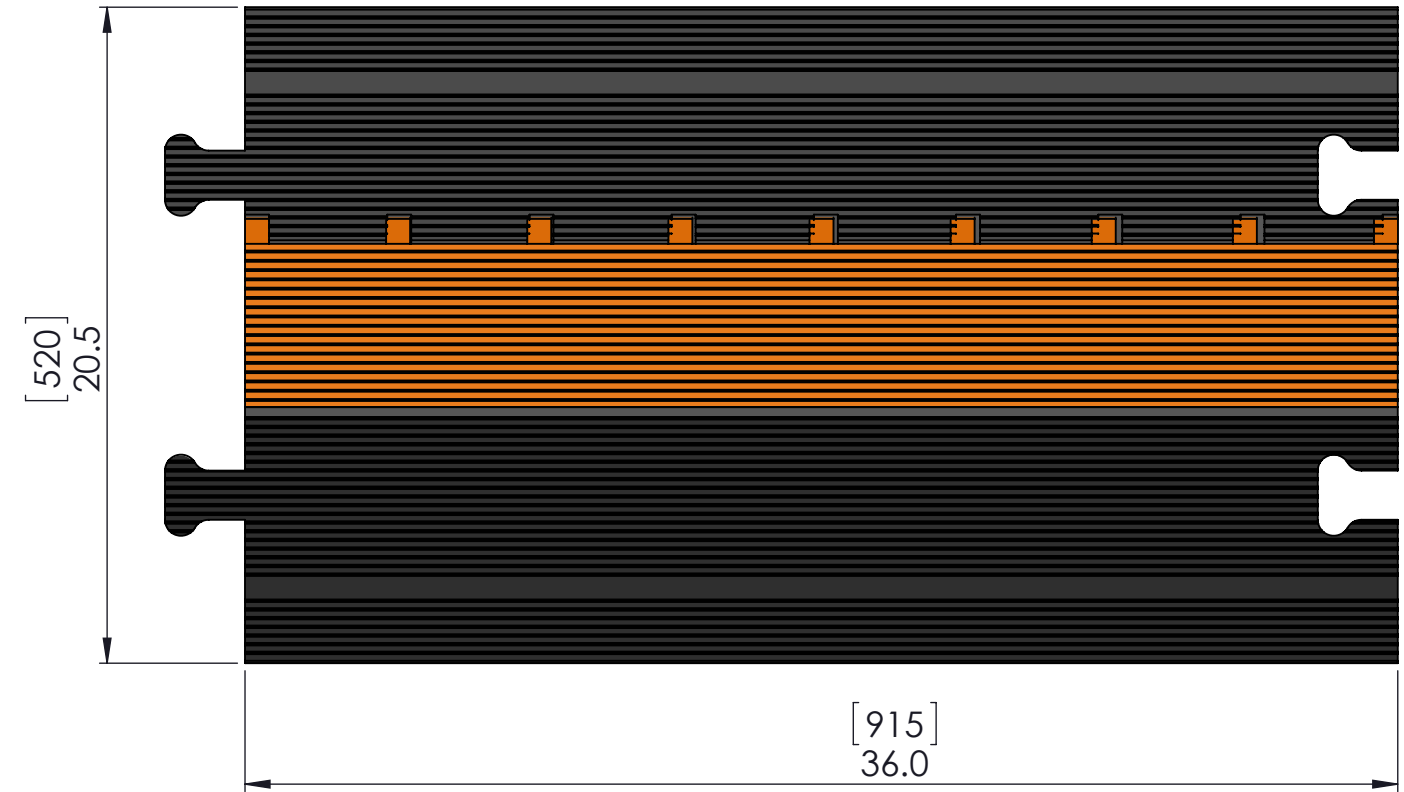


ZONE	REV	DESCRIPTION	DATE	APPROVAL
	1	PRELIMINARY RELEASE	1/4/2017	CN



Technical Data Sheet - MG1300		
Description	Imperial	Metric
Product - Length x Width x Height	36 x 20.5 x 3.5	915 x 520 x 90
Channel Size	3 x 3	76 x 76
Product Weight (lbs)	30	13.6
Load Capacity (lbs/axle)	38,000	17,235
Operating Temperature	-20°F up to +140°F	-30°C up to +60°C
Measurements are approximate	Imperial = inches & lbs.	Metric = mm & kg.

Standard Colors - Black Base/Orange Lid
Material - Polyurethane
Durometer - 90 Shore A Base +/- 5 --- 55D Shore D Lid +/- 5
Manufacture in USA

PROPRIETARY AND CONFIDENTIAL THE INFORMATION CONTAINED IN THIS DRAWING IS THE SOLE PROPERTY OF THE ESAC. ANY REPRODUCTION IN PART OR AS A WHOLE WITHOUT THE WRITTEN PERMISSION OF THE ELASCO IS PROHIBITED.	UNLESS OTHERWISE SPECIFIED: DIMENSIONS ARE IN INCHES TOLERANCES: FRACTIONAL: ± 1/32 ANGULAR: MACH ± 1° BEND ± 1° .X = ± .1 .XX = ± .01 .XXX = ± .005	Elasco Products, LLC 18065 Redondo Circle Huntington Beach, CA 92648	
	UNLESS OTHERWISE SPECIFIED DIMENSIONS AND TOLERANCES PER ASME Y14.5M	DRAWN: CN 1/4/2017 CHECKED: APPROVED: ELECTRONIC SIGNATURE ON FILE	TITLE: MIGHTY GUARD 1 Channel at 3.0" SIZE: B DWG. NO. MG1300 REV 1 SCALE: 1:6 SHEET 1 OF 1